



**BIOFACE 4LM**  
Facial Recognition System

**CONTACTLESS**  
Face Recognition System

---



**BIOFACE 4ML**  
Facial Recognition System

Hybrid-Biometric Access Control &  
Time Attendance Terminal

# Visible Light Facial Recognition & Palm Recognition

800 face templates capacity,  
800 palm templates capacity

---

Simple Setup, Ready to Deploy Solution  
**Get started on the same day**

d

g



# BIOFACE 4ML Features

## A A

Hybrid-Biometric Access Control & Time Attendance Terminal with Visible Light Facial Recognition & Palm Recognition

Anti-spoofing algorithm against print attack (laser, color and B/W photos), videos attack and 3D mask attack.

## A

Multiple verification methods:  
Face  
Palm  
Card  
Password  
QR code.

Available card modules: 1  
25kHz ID card (EM)  
13.56MHz IC card (MF)  
13.56MHz Felica card  
125kHz HID card

The recognition distance has been greatly extended to 2 meters, which significantly improves the maximum traffic rate. While most of the algorithms only support +/-15° of detectable face angle, SpeedFace-V4LM1 doubles the detection angle in terms of head rotation and tilt to +/- 30°

Touchless palm authentication method with a novel hand tracking technique allowing angle tolerance as wide as +/-60° in the roll axis and a recognition distance of 50cm.

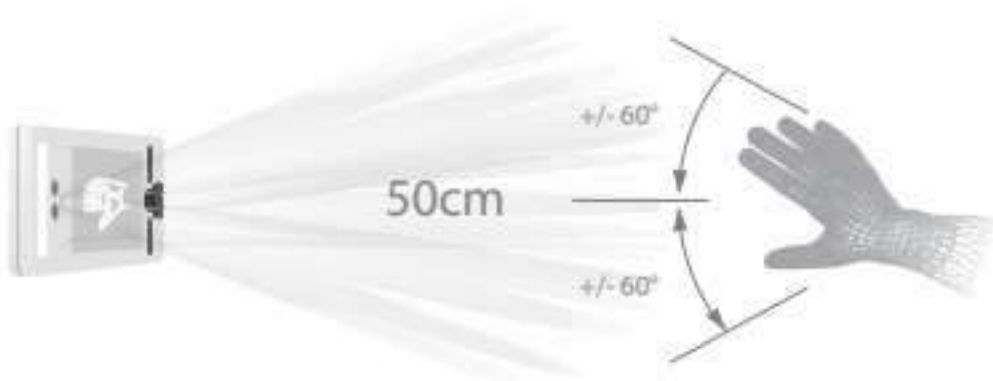
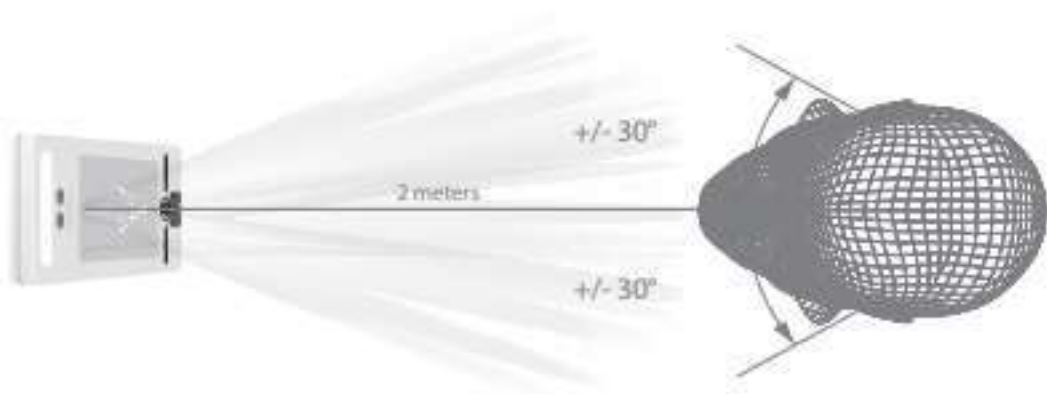
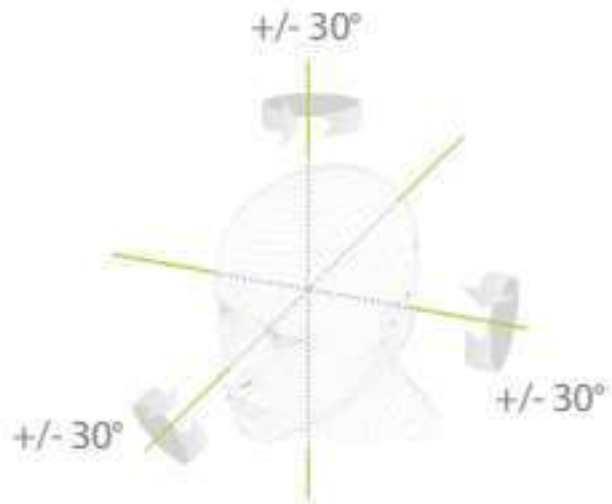
# Security



“TimeCentral is the platform you can trust. We take pride in our **ISO 27001** certification because it confirms the breadth and strength of our security practices and our commitment to safeguarding clients’ data”.

# BIOFACE 4ML

Extra wide angle Recognition







# Client Success Stories

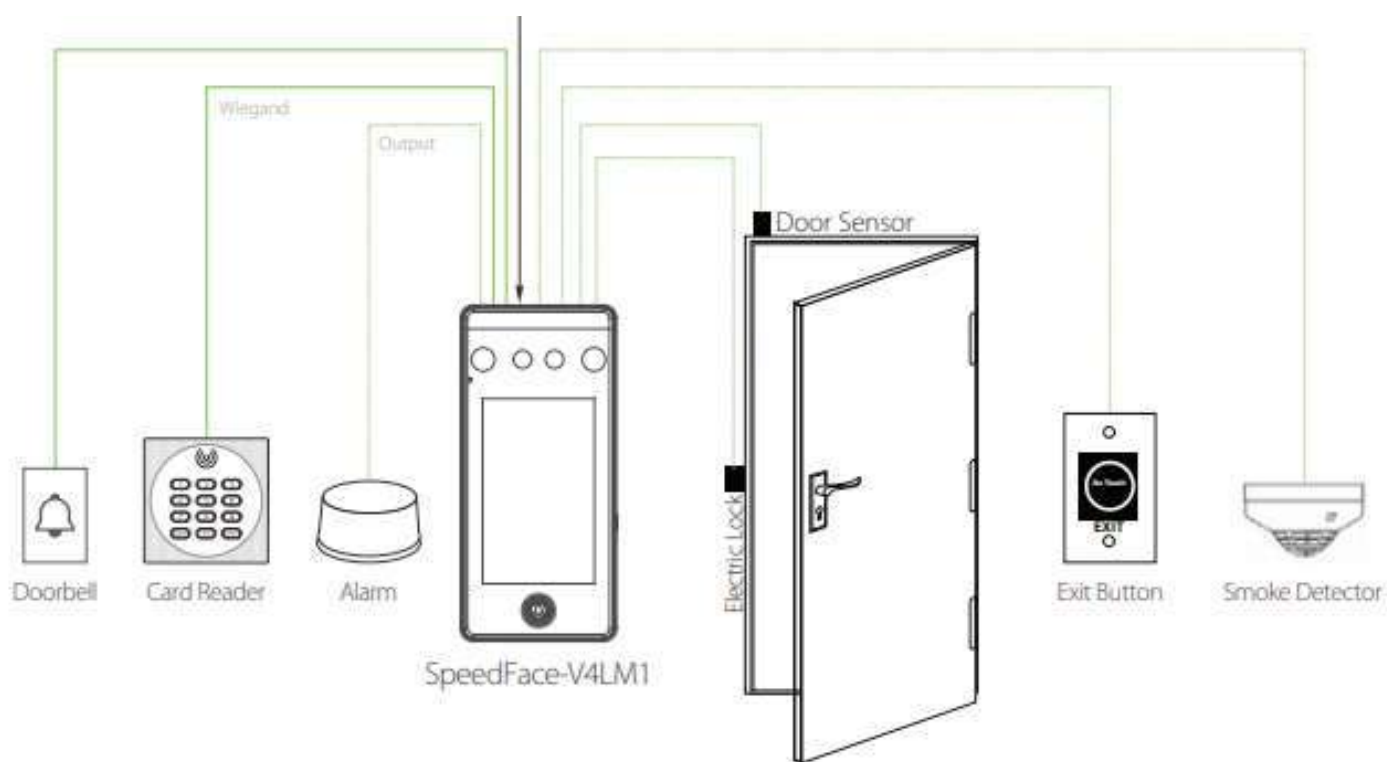
## More than 50k Scans daily

Trusted by Restaurant, Cafe,  
hotels, Construction, clinics,  
Gym & fitness, Schools,  
Tuition, retail, building,  
Science park, Dormitories,  
Engineering, etc.



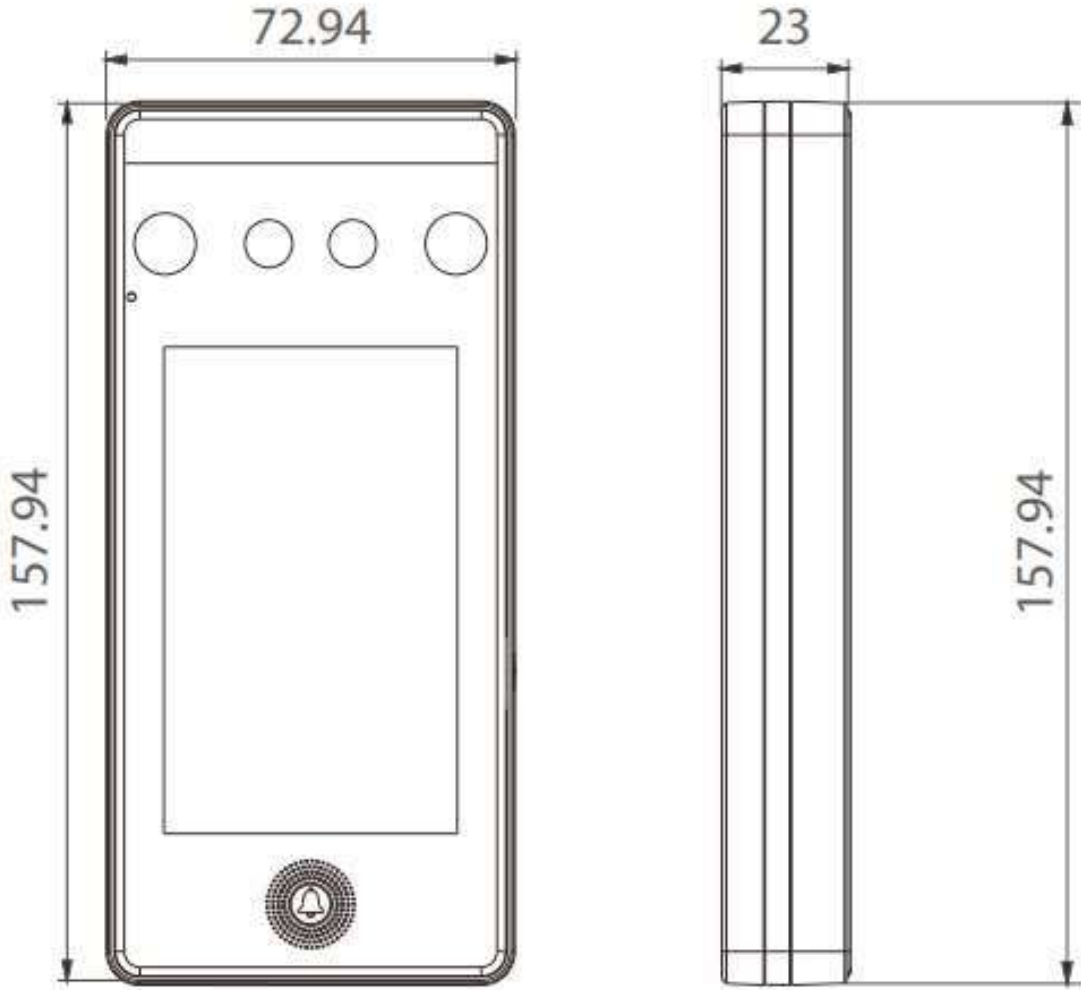


<b>Display</b>	4" touch screen
<b>Display Resolution</b>	800X480
<b>Capacity</b>	Face Capacity 800 Palm Capacity 800 Card Capacity 1,000
<b>Transactions</b>	150,000
<b>Standard Functions</b>	ID Card, ADMS, T9 Input, DST, Camera, 9-digit User ID, Access Levels, Groups, Holidays, Anti-passback, Record Query, Tamper Switch Alarm, Multiple Verification Methods, Palm Recognition, Wired doorbell, RS485 card reader
<b>Hardware</b>	900MHz Dual Core CPU; 512MB RAM / 512MB Flash; 2MP Binocular Camera; Adjustable LED Supplement Lighting
<b>Communication</b>	TCP / IP, USB Host, WiFi, Wiegand Input / Output, RS485
<b>Access Control Interface</b>	3rd-party Electric Lock, Door Sensor, Exit Button, Alarm Output, Auxiliary Input
<b>Optional Function</b>	13.56MHz IC Card (MF), 13.56MHz Felica card, 125kHz HID card, Wi-Fi, QR Code, Support mask recognition, SRB, Video intercom (Mutually exclusive with doorbell function)
<b>Facial Recognition Speed</b>	≤1s
<b>Power Supply</b>	12V 3A
<b>Working Humidity</b>	10%-90%
<b>Working Temperature</b>	0°C ~ 45°C (32°F ~ 113°F)
<b>Dimensions</b>	(W*H*D) 72.94 * 157.94 * 23 (mm)
<b>Shell Material</b>	Aluminium Alloy
<b>Net Weight</b>	360g
<b>Gross Weight</b>	950g



*All images are for illustration purposes. Specifications & parameters are subject to changes without prior notice.*

# Dimension **BIOFACE 4ML**



# Dedicated **Support**



Our team has extensive knowledge of the BIOFACE hardware and TimeCentral cloud platform. If you need any technical support and the solutions provided in the user manual is insufficient, you can call our agent [+65 62237996](tel:+6562237996) or email to our device support help desk at [support@timecentral.co](mailto:support@timecentral.co) to get the answers Monday to Friday 9 am to 6 pm. If there is an immediate need for replacement for urgent applications, our agents will get you a free replacement during the 1st year and a rental replacement set thereafter



[www.timecentral.co](http://www.timecentral.co) +65 68372336  
[keepsafe@timecentral.co](mailto:keepsafe@timecentral.co)

**Part of solution offering from PEOPLECENTRAL**

Copyright People central Pte Ltd. All Rights Reserved.

A&BGROUP and its respective logos are copyright of People Central Pte Ltd in Singapore.

All other trademarks and logos belong to their respective owners.